

B&B BARTONI®

CONSUMABLEPARTS

»20 years of Excellence«



EUROPEAN UNION
European Regional Development Fund
Operational Programme Enterprise
and Innovations for Competitiveness

*B&Bartoni Consumable
Parts suitable for*
Powermax45®



ISO 9001
2015
CERTIFIED



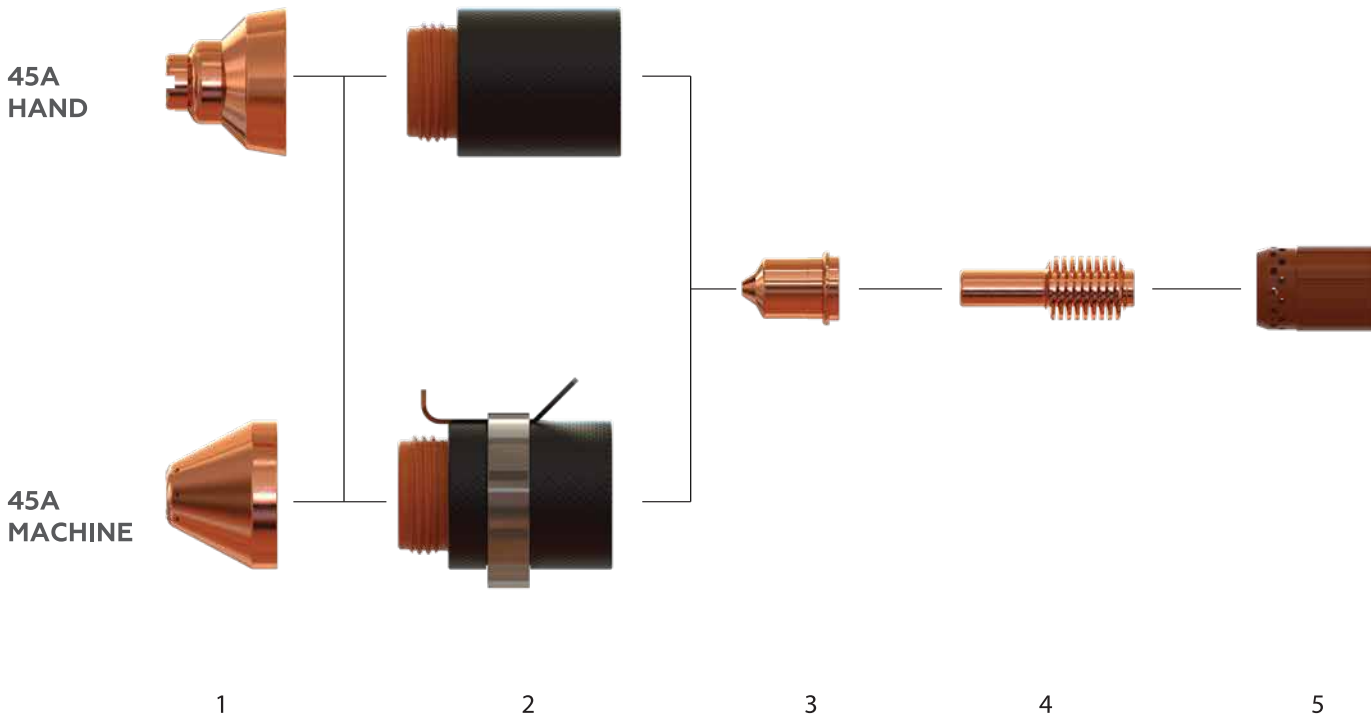
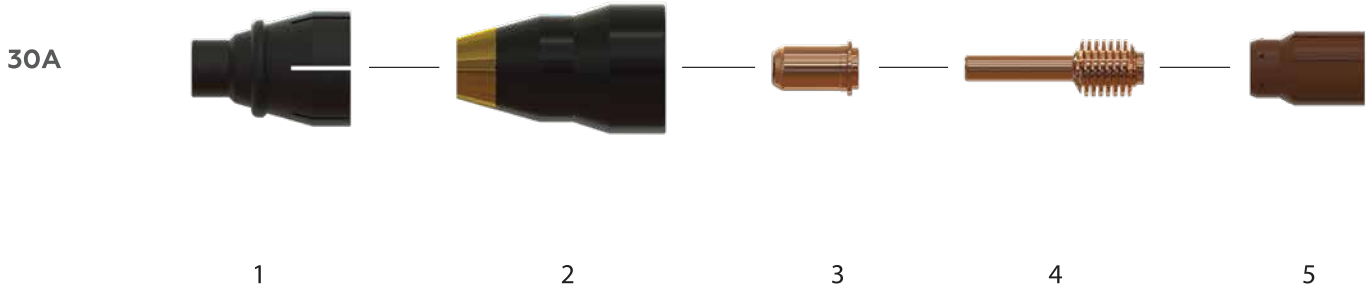
B&BARTONI, spol. s r. o.

Doubravička 18 | 294 30 Dolní Cetno | Czech Republic

+420 326 335 225 | info@b-bartoni.cz

www.b-bartoni.com

B&Bartoni Consumable
Parts Suitable For
Powermax45[®]



Cutting 30A Hand

ITEM	REF. NUMBER	ORDER NUMBER	DESCRIPTION
1	B220569	BP21401	Shield/Deflector 30A hand
2	B220483	BP21402	Retaining cap 30A
3	B220480	BP21403	Nozzle 30A
4	B220478	BP21405	Electrode 30A
	B220478SC	BP21406	Electrode 30A SilverCore
5	B220479	BP21404	Swirl ring 30A (vespel®)

Cutting 45A Hand Cutting 45A Machine

ITEM	REF. NUMBER	ORDER NUMBER	DESCRIPTION
1	B220674	BP21701	Shield 45A hand
	B220673	BP21702	Shield 45A machine
N/S	B220675	BP21703	Shield 45A gouging
N/S	B220717	BP21704	Deflector 45A Unshielded
2	B220713	BP21705	Retaining cap 45A
	B220719	BP21706	Retaining cap 45A OHMIC
3	B220671	BP21707	Nozzle 45A
N/S	B220672	BP21708	Nozzle 45A gouging
N/S	B220718	BP21709	Nozzle 45A Unshielded
4	B220669	BP21710	Electrode 45A
	B220669SC	BP21711	Electrode 45A SilverCore
5	B220670	BP21712	Swirl ring 45A

B&BARTONI CONSUMABLE PARTS SUITABLE FOR **Powermax45®**

20 years of worldwide experience
with **plasma cutting** solutions



Our company offers a complete range of replacement parts for most of the Cutting Systems, always providing cost-effective solutions that deliver performance equal to OEM standards.



Technical Support Service: Count on us to identify and correct Key issues that may compromise the performance of your plasma cutting operation. Also available as remote support.



Our product performance is approved by major companies in multiple industrial sectors, like automotive, civil construction, energy, metal-mechanics, transportation, among others. We are present in more than 17 countries.

   /bebartoni

www.b-bartoni.com